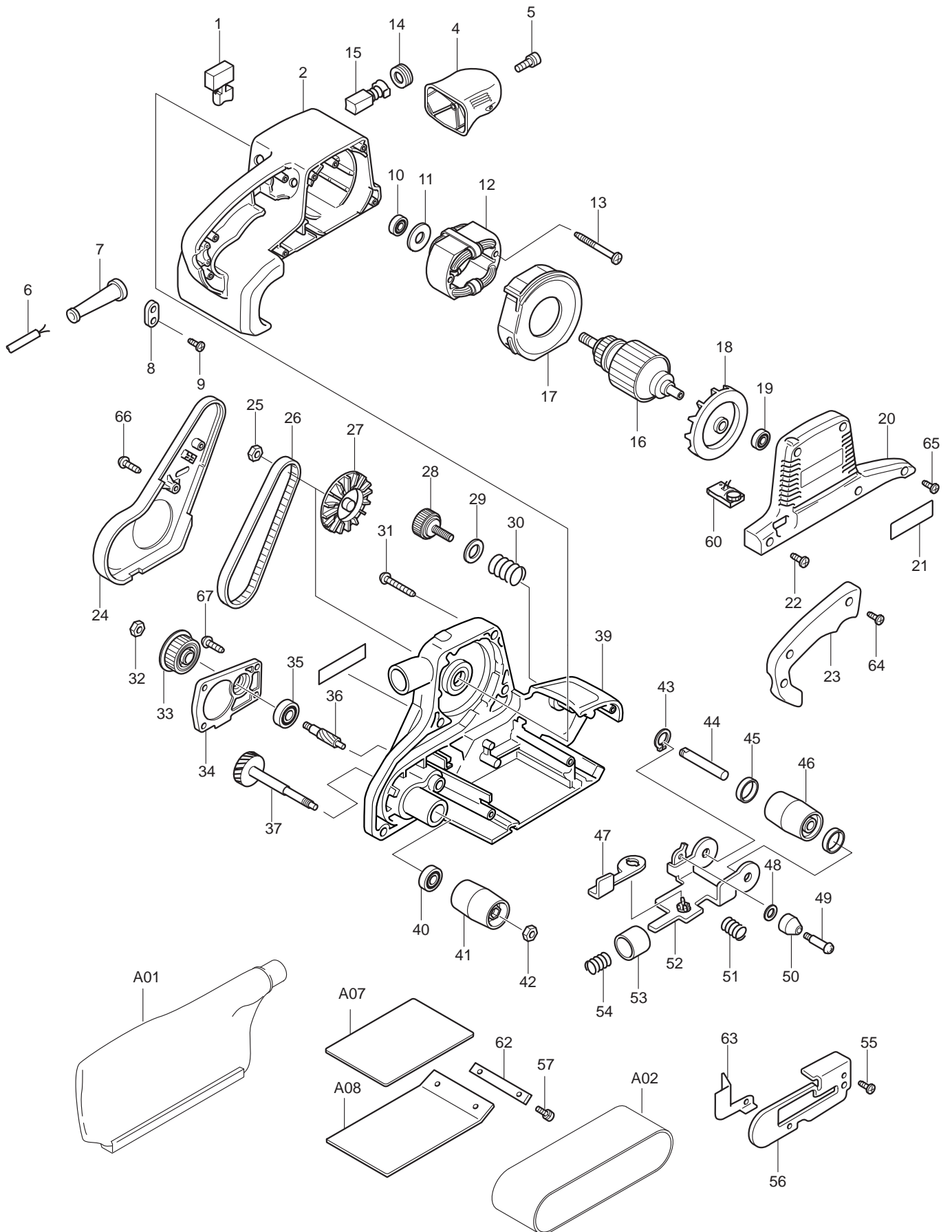




09 - 2010

9903

BELT SANDER 3 X 21"



Item No	Type	Ref	Part No	Description	Qty	Unit
1			651284-9	SWITCH SGEL115CDY-6	1	PC.
2			151743-8	MOTOR HOUSING COMPLETE	1	PC.
		INC.	643708-9	BRUSH HOLDER 5-11	2	PC.
4			417049-7	FRONT GRIP	1	PC.
5			266173-1	TAPPING SCREW 5X30	1	PC.
6			660023-6	CORD W/PLUG 2P-18-5.0M, SJ	1	PC.
7			682503-2	CORD GUARD 8-90	1	PC.
8			687063-9	STRAIN RELIEF	1	PC.
9			265995-6	TAPPING SCREW 4X18	2	PC.
10			211088-7	BALL BEARING 6000DDW	1	PC.
11			681649-1	INSULATION WASHER	1	PC.
12			523401-0	FIELD ASS'Y 115V	1	PC.
		INC.	654020-2	RING TERMINAL	2	PC.
		INC.	654502-4	CONNECTOR P-2	2	PC.
13			266056-5	TAPPING SCREW 5X45	2	PC.
14			643750-0	BRUSH HOLDER CAP	2	PC.
15	1		191963-2	CARBON BRUSH CB-303 2PC/SET (W/O ORIGIN) -N/L/A	1	SET
	2		194996-6	CARBON BRUSH CB-303 2PC/SET (W/ ORIGIN)	1	SET
16			513336-3	ARMATURE ASS'Y 115V	1	PC.
		INC.		Item No. 10, 11, 18, 19	1	PC.
17			417050-2	BAFFLE PLATE	1	PC.
18			240026-2	FAN 75	1	PC.
19			210023-2	BALL BEARING 627DDW	1	PC.
20			417047-1	MOTOR COVER	1	PC.
21			819001-5	MAKITA LABEL	1	PC.
22			265995-6	TAPPING SCREW 4X18	4	PC.
23			417051-0	HANDLE COVER	1	PC.
24			417052-8	BELT COVER	1	PC.
25			252153-3	HEX. NUT M6-10	1	PC.
26			225084-9	SYNCHRO BELT 6-330	1	PC.
27			241663-5	FAN 76 (Includes Pulley - Part No. N/A)	1	PC.
28			251815-0	SCREW M6X25	1	PC.
29			253707-9	FLAT WASHER 16	1	PC.
30			231225-7	COMPRESSION SPRING 16	1	PC.
31			266050-7	TAPPING SCREW 4X30	5	PC.
32			931402-8	HEX. NUT M8	1	PC.
33			222156-1	PULLEY 9.5-46.0	1	PC.
34			317273-1	GEAR COVER	1	PC.
35			211092-6	BALL BEARING 629DDW	1	PC.
36			226520-8	HELICAL GEAR 10	1	PC.
37			151755-1	HELICAL GEAR 39 COMPLETE	1	PC.
		INC.	226519-3	HELICAL GEAR 39	1	PC.
39			151746-2	FRAME COMPLETE	1	PC.
		INC.	212043-2	NEEDLE BEARING 810	1	PC.
		INC.	214101-0	PLANE BEARING 12	1	PC.
		INC.	344828-9	PLATE	1	PC.
40			211088-7	BALL BEARING 6000DDW	1	PC.
41			162217-4	DRIVING ROLLER	1	PC.
42			252154-1	HEX. NUT M8-13	1	PC.
43			961052-5	RETAINING RING S-12	1	PC.
44			323931-9	TENSION ROLLER SHAFT	1	PC.
45			253922-5	CUP WASHER 12	2	PC.

Item No	Type	Ref	Part No	Description	Qty	Unit
46			151753-5	TENSION ROLLER COMPLETE	1	PC.
		INC.	214116-7	PLANE BEARING 12	2	PC.
		INC.	413012-8	SPONGE SHEET 30-47	1	PC.
47			344823-9	LEVER	1	PC.
48			267731-6	CUP WASHER 4	1	PC.
49			265059-6	SHOULDER SCREW M4	1	PC.
50			416417-1	ROLLER	1	PC.
51			233249-9	COMPRESSION SPRING 7	1	PC.
52			151744-6	TENSION ROLLER ARM COMPLETE	1	PC.
53			267746-3	CUP WASHER 17	1	PC.
54			233250-4	COMPRESSION SPRING 12	1	PC.
55			266034-5	TAPPING SCREW CT 4X16	2	PC.
56			344821-3	SAFETY COVER	1	PC.
57	1		911116-5	PAN HEAD SCREW M4X12	2	PC.
	2		911117-3	PAN HEAD SCREW M4X12	2	PC.
60			631379-4	CONTROLLER	1	PC.
62			344848-3	STRAP WASHER	1	PC.
63			344829-7	GUARD	1	PC.
64			265995-6	TAPPING SCREW 4X18	3	PC.
65			266034-5	TAPPING SCREW CT 4X16	1	PC.
66			266034-5	TAPPING SCREW CT 4X16	1	PC.
67			266034-5	TAPPING SCREW CT 4X16	4	PC.
100			654532-5	TERMINAL BLOCK 1P	1	PC.

#### **ACCESSORIES**

- See catalogue or visit [www.makita.ca](http://www.makita.ca) for more optional accessories -

A01			122591-2	DUST BAG ASS'Y	1	PC.
		INC.	410602-8	FASTENER	1	PC.
A02			742308-3	3-1/2" ABRASIVE BELT 10PC/SET	1	PC.
A03			193055-3	BELT SANDER STAND SET	1	SET
		INC.	923211-9	CAP SQUARE NECK BOLT M5X12	1	PC.
		INC.	941101-4	FLAT WASHER 5	1	PC.
		INC.	344859-8	PRESSURE PLATE	1	PC.
		INC.	941151-9	FLAT WASHER	1	PC.
		INC.	942151-2	SPRING WASHER 6	1	PC.
		INC.	924366-3	WING BOLT M6X50	1	PC.
		INC.	819063-3	MAKITA LABEL	1	PC.
		INC.	342920-5	COVER PLATE	1	PC.
		INC.	934201-7	WING NUT M5	1	PC.
		INC.	924316-8	WING BOLT M6X50	1	PC.
		INC.	163236-3	GUIDE RULE	1	PC.
		INC.	168344-5	BASE	1	PC.
		INC.	843527-5	CARTON	1	PC.
A04			193070-7	SANDING SHOE SET	1	SET
A05			192279-8	HOSE 1" DIA.X9.6FT	1	PC.
A06			151749-6	STEEL PLATE COM.	1	SET
		INC.	344848-3	STRAP WASHER	1	PC.
		INC.		Item No. A07	1	PC.
A07			423312-8	CORK RUBBER PLATE, BULK	1	PC.
A08			423315-2	CARBON PLATE, BULK	1	PC.